

- Low-loss RF SAW filter for mobile telephone PCN system
- No matching network required for operation at 50Ω
- Ceramic package for Surface Mounted Technology (SMT)
- Lead-free production and RoHS compliant

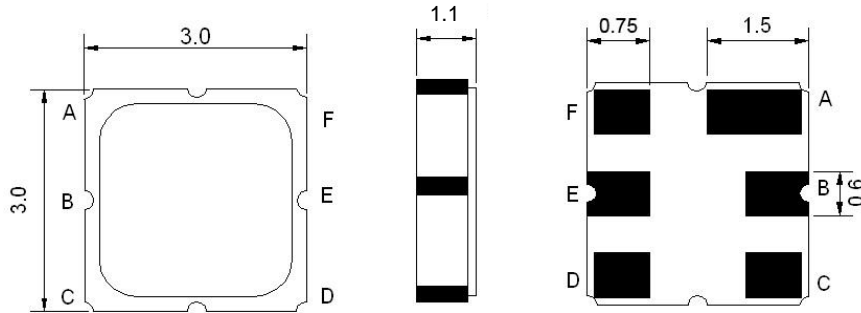


Electrical Characteristics

MAXIMUM RATING				
PARAMETERS DESCRIPTION	UNIT	MINIMUM	TYPICAL	MAXIMUM
Operating Temperature Range	°C	-10	-	+65
Storage Temperature Range	°C	-40	-	+85
Maximum DC Voltage	V _{DC}	-	-	5
Maximum Input Power Level	dBm	-	-	10
Source Impedance	Ω	-	50	-
Load Impedance	Ω	-	50	-
Length x Width	mm ²	-	3.0 x 3.0	-
Height	mm	-	-	1.1

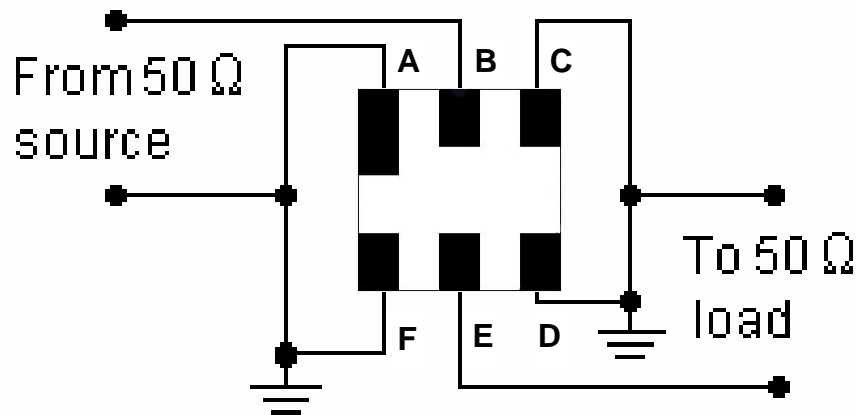
ELECTRICAL SPECIFICATION				
PARAMETERS DESCRIPTION	UNIT	MINIMUM	TYPICAL	MAXIMUM
Center Frequency (Fo)	MHz	-	1842.5	-
Insertion Loss @ 1805.00 ~ 1880.00MHz	dB		3.5	5.0
Amplitude Ripple (p-p) @ 1805.00 ~ 1880.00MHz	dB		1.8	2.5
Absolute Attenuation:				
DC ~ 1500.00 MHz	dB	20	22	
1600.00 ~ 1710.00 MHz	dB	22	25	
1710.00 ~ 1785.00 MHz	dB	10	20	
1920.00 ~ 2400.00 MHz	dB	24	27	
3610.00 ~ 3760.00 MHz	dB	20	25	
5415.00 ~ 5640.00 MHz	dB	10	15	

Package Dimensions



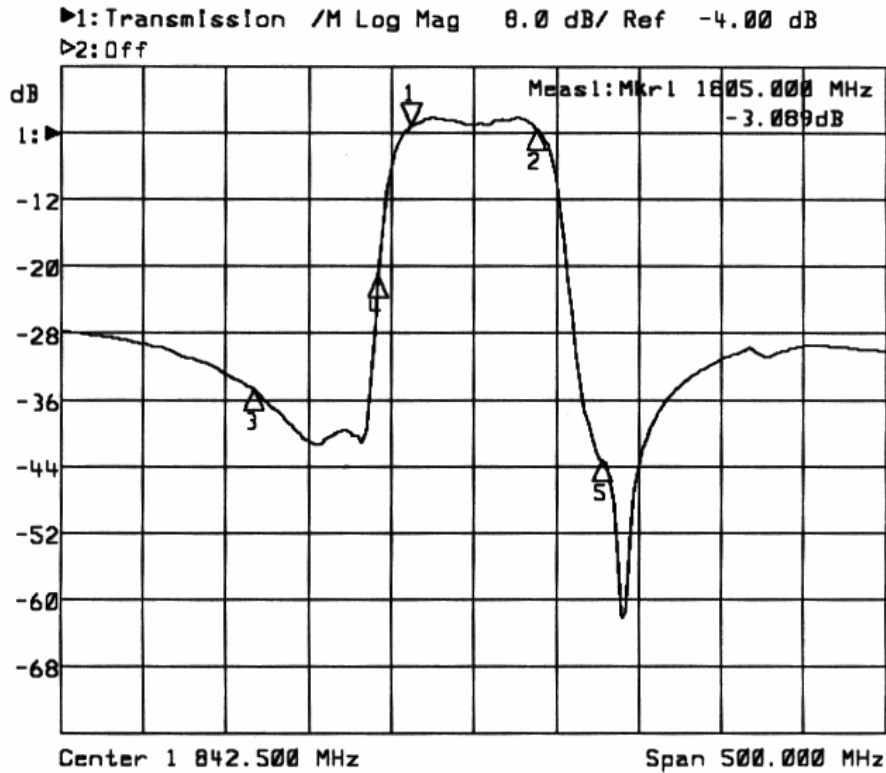
Pin Description	
B	Input / Output
E	Output / Input
A, C, D, F	Case Ground

Testing Environment



Frequency Characteristics

Frequency Response



1: Mkr (MHz)	dB	2: Mkr (MHz)	dB
1> 1805.0000	-3.089		
2: 1880.0000	-3.319		
3: 1710.0000	-34.624		
4: 1785.0000	-20.904		
5: 1920.0000	-43.291		